

UL924 Emergency Power Controls

Applications

In the past, all emergency lights had to be on 24 hours a day to meet safety codes. Now a UL924 listed emergency power control can convert & control up to 20A of normal lighting into approved emergency lighting.

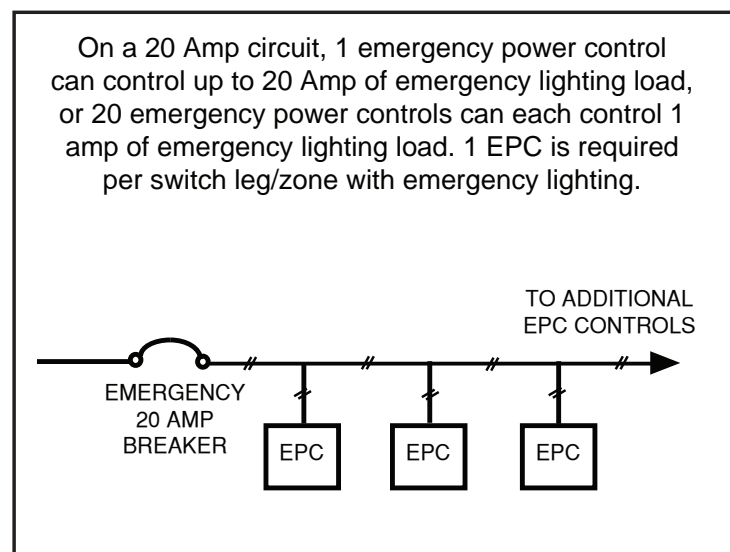
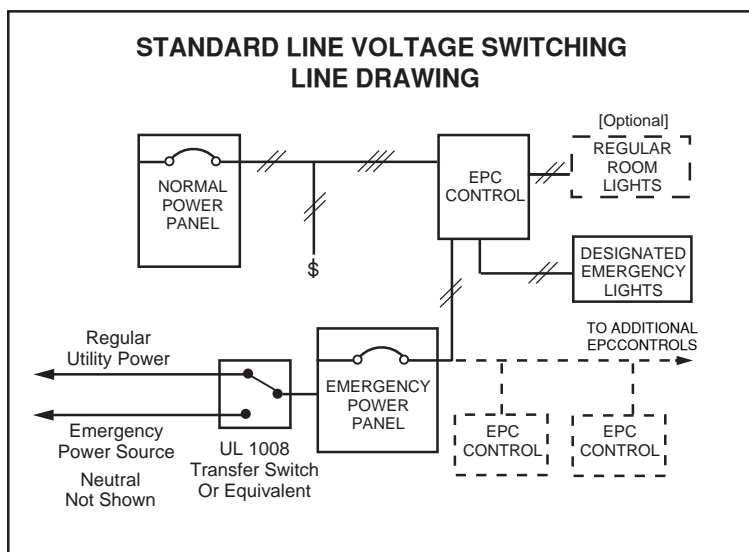
When utility power is available, LVS UL924 listed emergency power controls (EPC's) allow designated emergency lights to be switched or dimmed using the same control as regular lights in the same area. Upon loss of power, EPC's will switch designated emergency luminaires on, at full brightness, regardless of switch or dimmer position, until utility power is restored.

LVS is proud to be the leading manufacturer of UL924 lighting controls with the most complete line of products and unique features to handle any application.

LVS EPC's ensure code compliance, safety, and energy conservation for emergency lighting systems.



Single Line Drawings



5 YEAR WARRANTY



UL924 LISTED EMERGENCY LIGHTING EQUIPMENT

Product Selection Guide

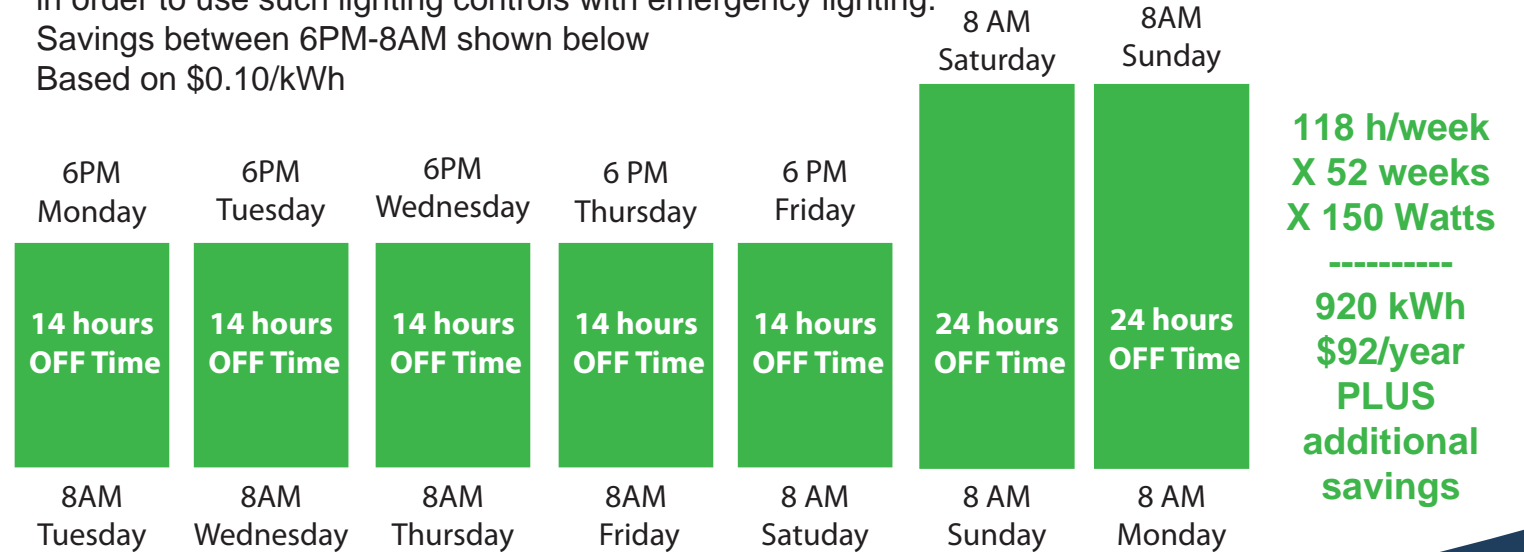
Model	Load Type	Rating	Automatic Test	Status LED's	Mounting
EPC-1	Switched	20A	✓	● ●	Flush
EPC-A-1	Switched	20A	✓	●	Fixture/Recessed
EPC-1-D	0-10V/DALI dimmable	20A	✓	● ●	Flush
EPC-D-F	2,3, or 4 wire dimmable loads & step dimming	20A		● ●	Flush
EPC-D-F-S	2,3, or 4 wire dimmable loads & step dimming	20A		● ●	Surface
RRU	varies by application	20A			Fixture/Recessed

NOTE: EPC's are compatible with all load types, including fluorescent, LED, incandescent and other. For HID applications, consult factory for application guidance.

Emergency lighting is required in many areas including hallways and staircases at an average of 1 footcandle. In the past, these lights were designated "nightlights" and left on 24 hours a day, 7 days a week. Using an EPC to control these lights with a switch or lighting control system can save substantial energy over the course of a building's life.

An average load of 150W is controlled by one EPC in a commercial or institutional installation. The largest saving comes from being able to switch nightlights off when the building is unoccupied. Additional savings come from being able to use energy saving controls as occupancy sensors, even when the building is occupied. In order to comply with NEC, a UL924 listed EPC is required in order to use such lighting controls with emergency lighting.

Savings between 6PM-8AM shown below
Based on \$0.10/kWh



EPC-1

Flush Mount Emergency Power Control
for switched loads

Application

The EPC-1 is ideal for controlling emergency lighting from a wall switch, occupancy sensor, time clock, relay panel, or other switching device.

EPC-1 allows for energy saving controls to control emergency lighting during normal conditions. During a utility power interruption, the EPC-1 bypasses those controls and turns emergency lighting on, regardless of switch position.



Patented Automatic Diagnostic Feature

The patented automatic diagnostic feature allows the EPC-1 to be installed in any location because the unit does not require an accessible test switch. When the room switch is turned off, the EPC-1 initiates an automatic test and keeps emergency luminaires on for 2.5 seconds, verifying that an emergency power source is available and that the EPC-1, ballast, and lamp(s) are all functioning correctly.

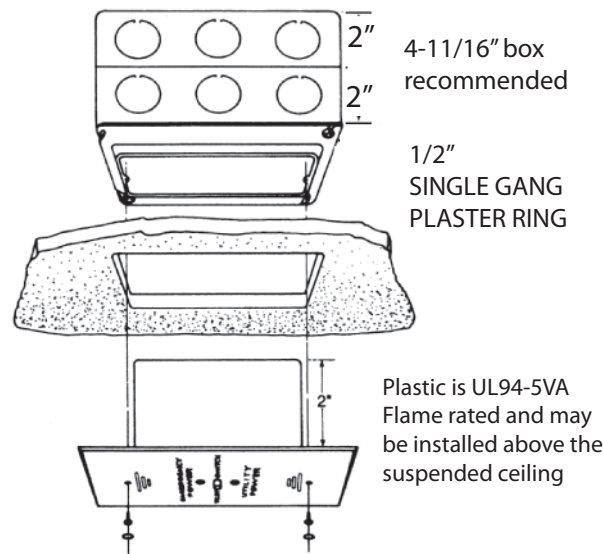
This unique feature eliminates the need for manual monthly testing and is UL924 approved for this purpose.



Special Options:
EPC-1-RT (Fire Alarm, Remote Test Activation)
EPC-1-D (0-10V Dimming)
EPC-1-UM (Made in America)

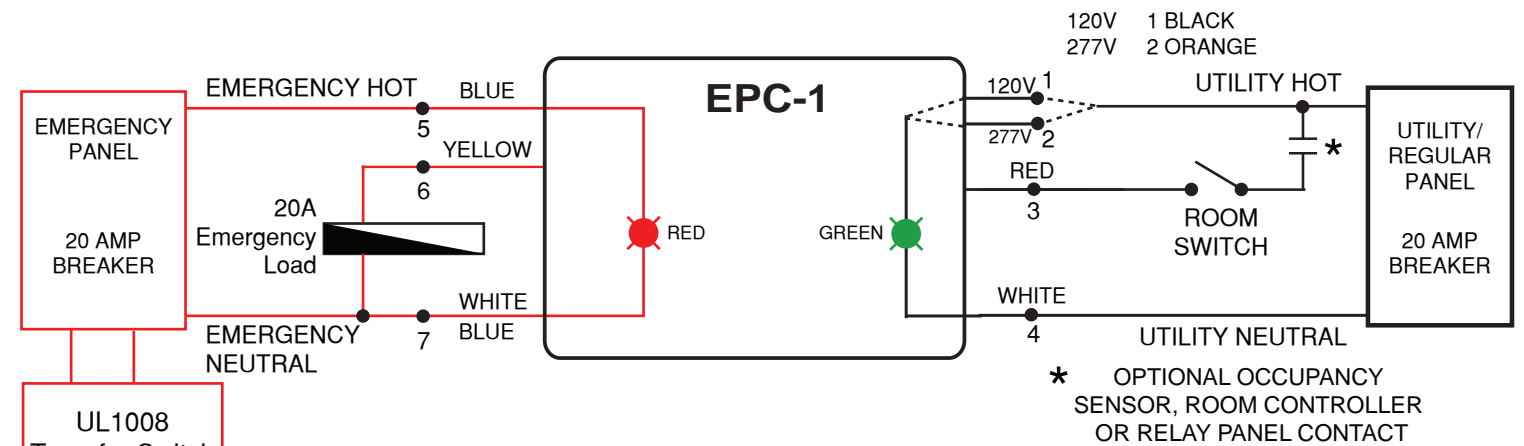


EPC-1 Flush Mount Installation



5 YEAR WARRANTY

Model EPC-1 Wiring



When regular power is available, room switch controls emergency and regular loads. When normal power is interrupted, emergency load is switched on, regardless of switch position.

NOTE: The room switch can also control normal loads (optional)

Key Features

- ◆ Automatic Diagnostic Feature
- ◆ Utility & Emergency Power Status LED's
- ◆ Manual Test Switch
- ◆ Small size, Flush mounted
- ◆ Silent
- ◆ 20A Rated

Electrical Specifications

Model EPC-1-120/277
 120V or 277V Sensing Input
 120V or 277V Load
 20 Amp Ballast Load Rating
 1200W Incandescent Load Rating at 120V
 1500W Incandescent Load Rating at 277V
 N.C. Contact
 UL924 Listed

Mechanical Specifications

Mounts in 4-11/16" Junction Box with single gang plaster ring
 UL94-5VA Rating
 Shipping Weight: 8 oz
 Temperature: 32°F - 140°F | Color : White
 Flush Mounted Size: 4-3/4" x 2-3/4" x 1/4"
 Body Size: 2-7/8" x 1-3/4" x 1-3/4"

EPC-A-1

Flush Mount Emergency Power Control
for switched loads

Application

The EPC-A-1 is ideal for controlling emergency lighting from a wall switch, occupancy sensor, time clock, relay panel, or other switching device.

EPC-A-1 allows for energy saving controls to control emergency lighting during normal time, but bypasses those controls and turns emergency lighting on, regardless of switch position, during a utility power interruption.



Patented Automatic Diagnostic Feature

The patented automatic diagnostic feature allows the EPC-A-1 to be installed in any location because the unit does not require an accessible test switch. When the room switch is turned off, the EPC-A-1 initiates an automatic test and keeps emergency luminaires on for 2.5 seconds, verifying that an emergency power source is available and that the EPC-A-1, ballast, and lamp(s) are all functioning correctly.

This unique feature eliminates the need for manual monthly testing and is UL924 approved for this purpose.



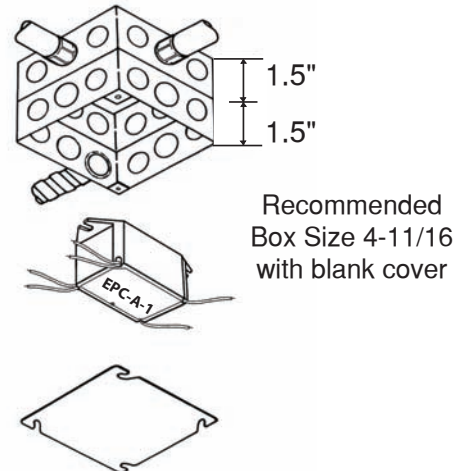
5 YEAR
WARRANTY



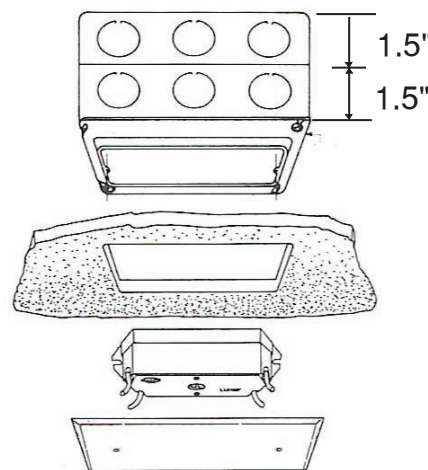
UL924 LISTED
EMERGENCY LIGHTING
EQUIPMENT



EPC-A-1 Wall or Ceiling Installation

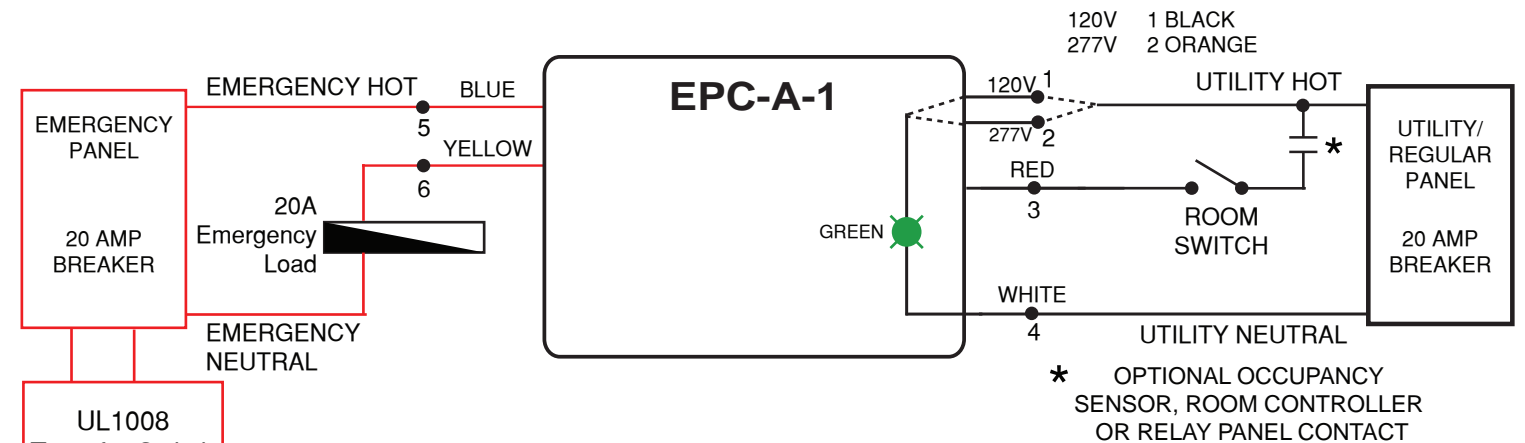


EPC-A-1 Fire Ceiling Installation



EPC-A-1 can also be mounted in plenum (when tiles are removable), in a light fixture or behind a wall switch.

Model EPC-A-1 Wiring



When regular power is available, room switch controls emergency and regular loads. When normal power is interrupted, emergency load is switched on, regardless of switch position.

NOTE: The room switch can also control normal loads (optional).

Key Features

- ◆ Automatic Diagnostic Feature
- ◆ Utility Power Status LED
- ◆ 20A Rated
- ◆ Small size, mounts almost anywhere
- ◆ Silent

Electrical Specifications

Model EPC-A-1-120/277
120V or 277V Sensing Input
120V or 277V Load
20 Amp Ballast Load Rating
1200W Incandescent Load Rating at 120V
1500W Incandescent Load Rating at 277V
N.C. Contact
UL924 Listed

Mechanical Specifications

Mounts in 4-11/16" Junction Box with blank cover
UL94V-0 Flame Rating
Shipping Weight: 8 oz
Temperature: 32°F - 140°F | Color : Black
Size (with mounting ears): 3-3/4"(L) x 1-3/4"(W) x 1-1/2"(H)

EPC-D-F

Emergency Power Transfer Control
For 2,3, and 4-wire dimmable loads

Applications

The EPC-D-F allows full range dimming of selected emergency loads during normal conditions using the same dimmer as normal area lighting.

Upon loss of utility power, the EPC-D-F transfers to emergency power and brings connected emergency loads to full brightness.

Ideal for public places such as conference rooms, classrooms, restaurants, auditoriums, and theatres.

Compatible with 2,3, and 4 wire dimmable loads.
2 Wire is Dimmed Hot + Neutral
3 Wire is Switched Hot + Dimmed Hot + Neutral
4 Wire is Switched Hot + Neutral + Low Voltage (Purple/Gray (0-10V) or DALI)



Silent Operation

Because the EPC-D-F uses electromechanical relays to transfer the load, rather than noisy contactors or spring loaded contacts, there is virtually no sound when switching between normal and emergency operation.

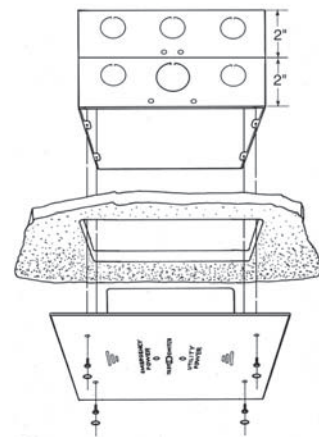


Triple Interlock Protection

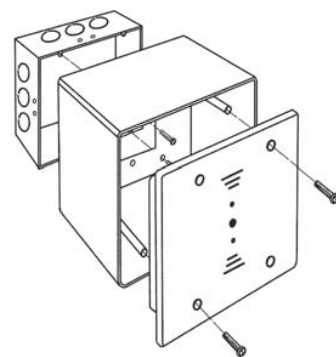
EPC-D-F includes three safety provisions to prevent interconnection between utility and emergency circuits: mechanical, electrical, and time-delay. These features are critical for protecting connected loads and dimming systems from backfeeding or phase to phase arcing, and ensure long, trouble-free operation.



EPC-D-F Flush Mount Installation

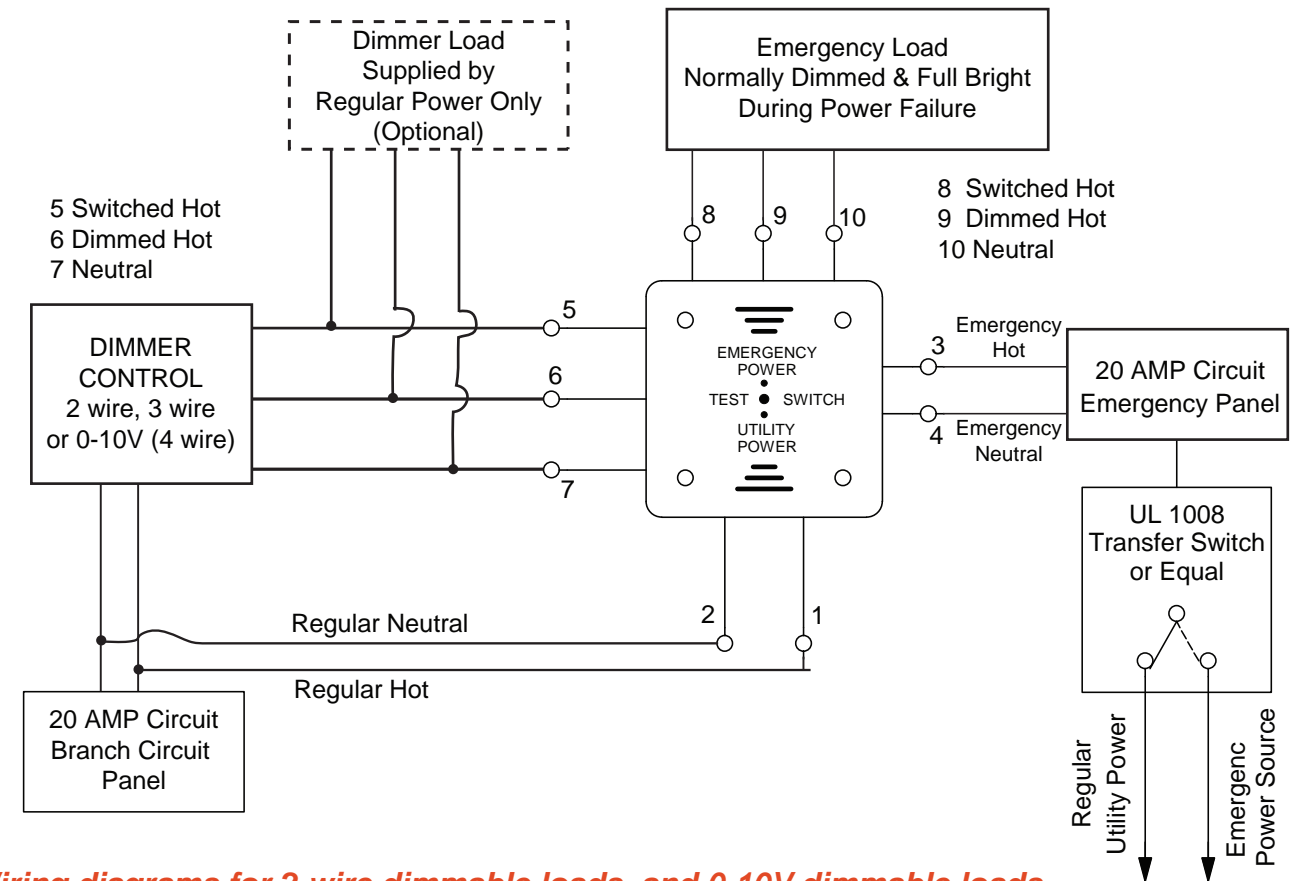


EPC-D-F Surface Mount Installation



Surface Mount adaptor box available upon request or see model EPC-D-F-S

Model EPC-D-F Wiring for 3 wire dimmable loads



Wiring diagrams for 2-wire dimmable loads, and 0-10V dimmable loads available at www.lvscontrols.com

When regular power is available, dimmer controls emergency and regular loads.
 When regular power is interrupted, emergency power feeds emergency loads at full brightness, regardless of dimmer position.

Electrical Specifications

Model EPC-D-F-120V or EPC-D-F-277V
 120V or 277V Sensing Input
 120V or 277V Load
 20 Amp Ballast Load Rating
 1800W Incandescent Load Rating at 120V
 1500W Incandescent Load Rating at 277V
 UL924 Listed

5 YEAR WARRANTY



UL924 LISTED
EMERGENCY LIGHTING
EQUIPMENT

Mechanical Specifications

Flush Mounted Size : 6" x 6" x 1/4"
 Recessed Body Size : 4-1/3" x 4-1/3" x 1-1/2"
 Color: White
 Weight: 16 oz.
 Ambient Temp. Rating: 32° F - 140° F
 UL 94V-0 Flame Rating. Safe for installation above suspended ceiling.